

Controlled Environments (KS1100CS)

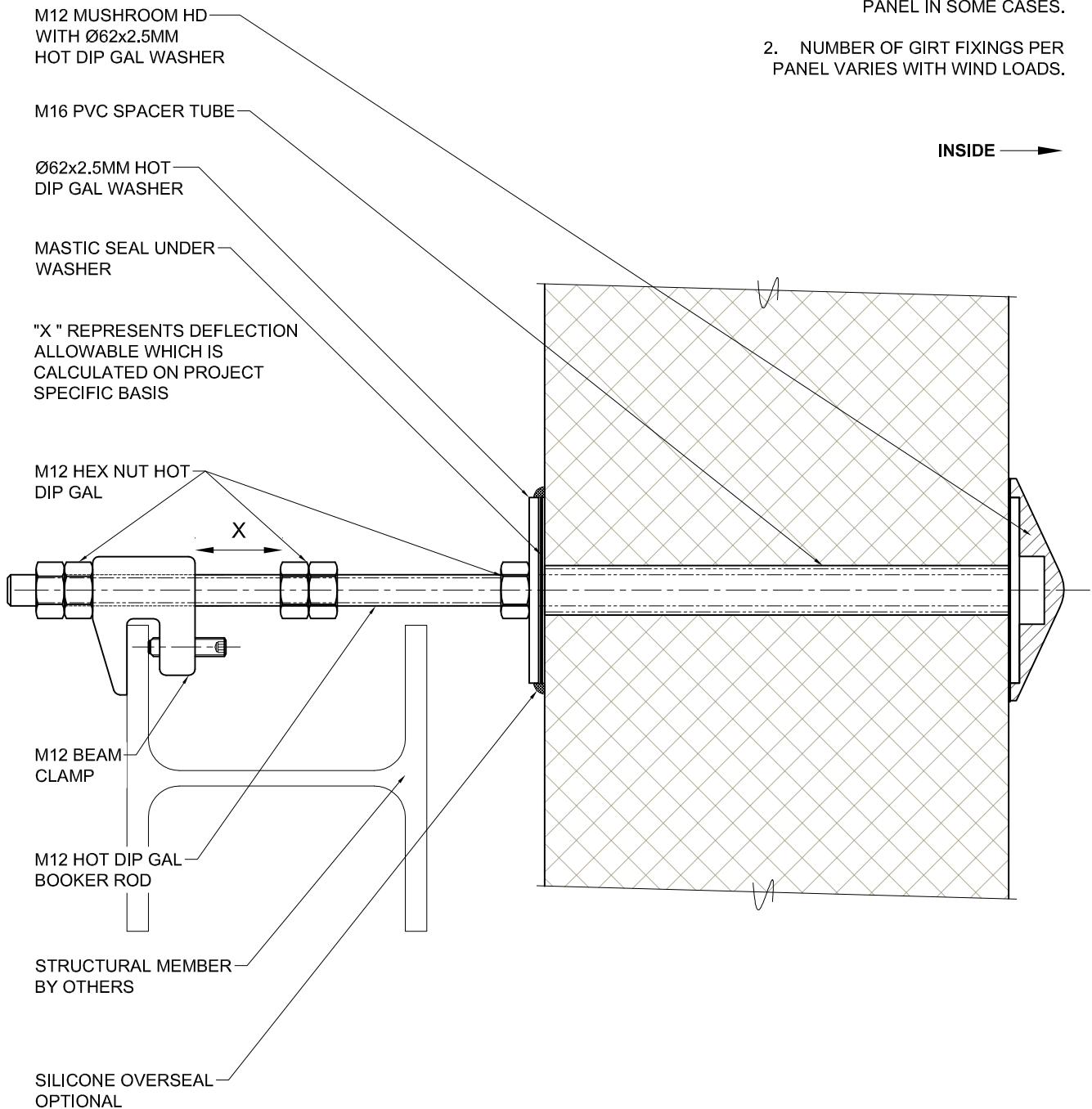


← OUTSIDE

INSIDE →

NOTE

1. FIXING MAY NEED TO BE VARIED TO ALLOW FOR THERMAL BOW OF WALL PANEL IN SOME CASES.
2. NUMBER OF GIRT FIXINGS PER PANEL VARIES WITH WIND LOADS.



DETAIL J-PF12

Dwg. Title		Scale	<p>These construction drawings are the property of Kingspan Insulated Panels Pty. Ltd. and may not be reproduced in anyway without written consent from Kingspan.</p> <p>www.kingspanpanels.com.au</p>	
Intermediate Support Detail for External Walls		NTS		
Application	Dwg. No.	Rev.		
Chiller/Freezer	CS PF 12	B		